



# GreenRay Mounting Solution

## for the SunSine™ 200 AC Module

### **SIMPLER, MORE RELIABLE SOLAR**

GreenRay's proprietary mounting solution dramatically simplifies installation of our plug-and-play SunSine™ 200 AC Module, while enhancing system reliability and safety. Our mounting system is fully integrated with the module frame and installs in half the time of conventional rack-mounted systems – with 40% fewer parts, no cumbersome rails, and no special tools required. Aluminum mounting feet and link plates connect easily to the module frame and automatically bond the array for trouble-free grounding. The result: lower cost of installation, and a safer, more reliable and attractive system.

### **KEY TECHNICAL FEATURES**

Suitable for 130 mph wind zones per ASCE 7-05

.....

Frame adapter ETL tested to UL1703 as ground bond means

.....

Link Plates and J Box ETL tested to UL467 as grounding and bonding device

.....

Compatible with majority of attachment solutions for composition shingle, tile, and metal roofs



### **FASTER INSTALLATION**

- Speeds installation by 2X or more
- Dramatically reduces installation cost
- Eliminates mounting rails and clips
- Eliminates complex parts and special tools
- Enables easy replacement of a single module

### **IMPROVED SAFETY & RELIABILITY**

- Provides robust, ETL approved auto-grounding design
- Eliminates separate grounding hardware
- Promotes worker safety on sloped roofs

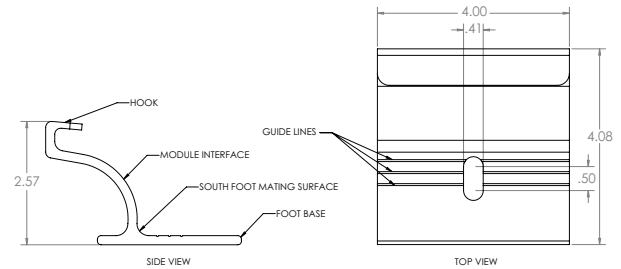
### **MORE ATTRACTIVE**

- Improved aesthetics with lower profile
- Automatic spacing between rows and modules
- Prevents debris build-up and water trapping

Component	Part No.	Weight
North Foot	MT-AB-01	8.0 oz



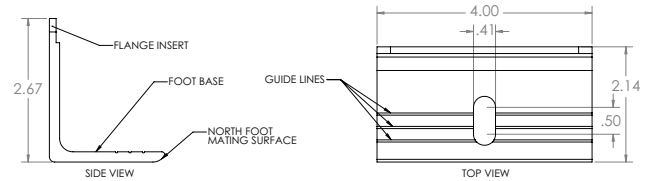
The north foot provides an attachment point between the module and roof surface or flashing system and fixes the spacing between rows.



Component	Part No.	Weight
South Foot	MT-AD-01	5.0 oz



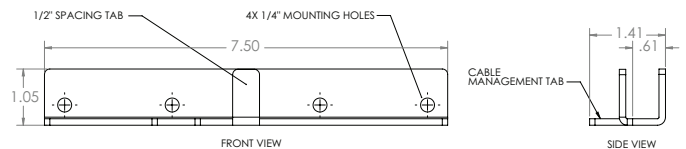
The south foot provides a low-profile attachment point between the module and roof surface or flashing system.



Component	Part No.	Weight
Exterior Link Plate	MT-AE-01	2.2 oz



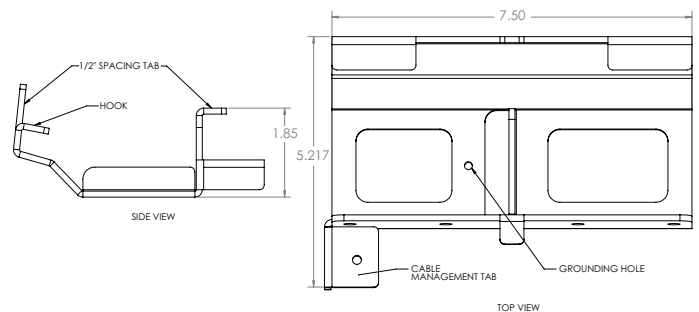
The exterior link plate fixes spacing between modules, provides east-west structural support and creates the ground bond between modules.



Component	Part No.	Weight
Interior Link Plate	MT-AI-01	8.0 oz



The interior link plate fixes spacing between modules, provides east-west structural support and creates the ground bond between modules.



**GreenRay, Inc.**  
 2 Park Drive, Suite 1, Westford, MA 01886  
 978.631.0509 | [www.greenraysolar.com](http://www.greenraysolar.com)